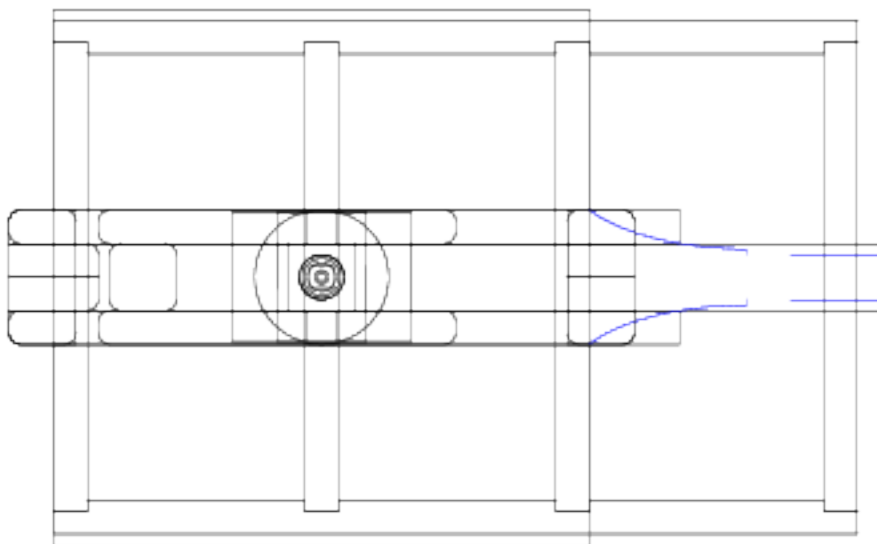
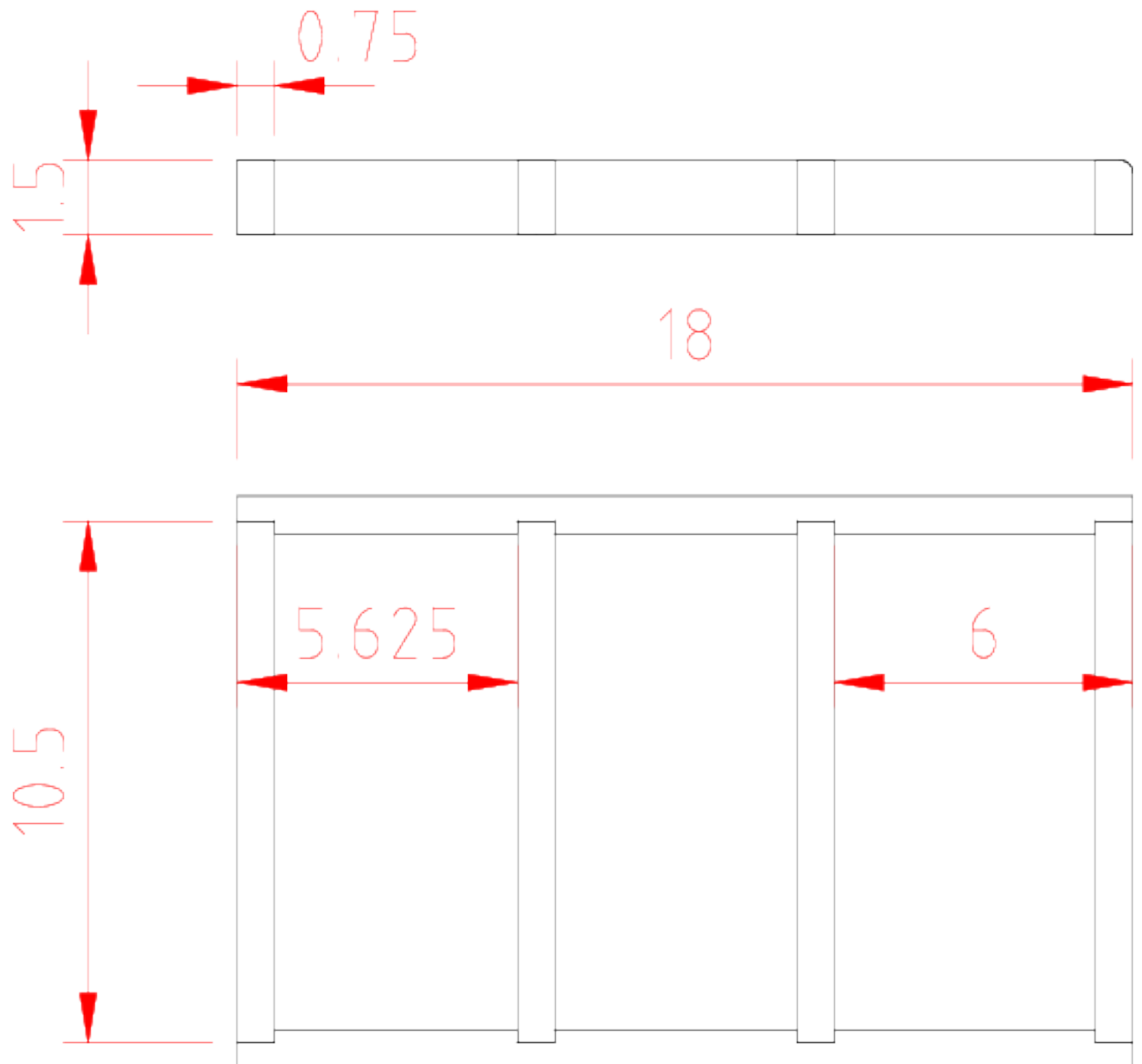


# Compound Press

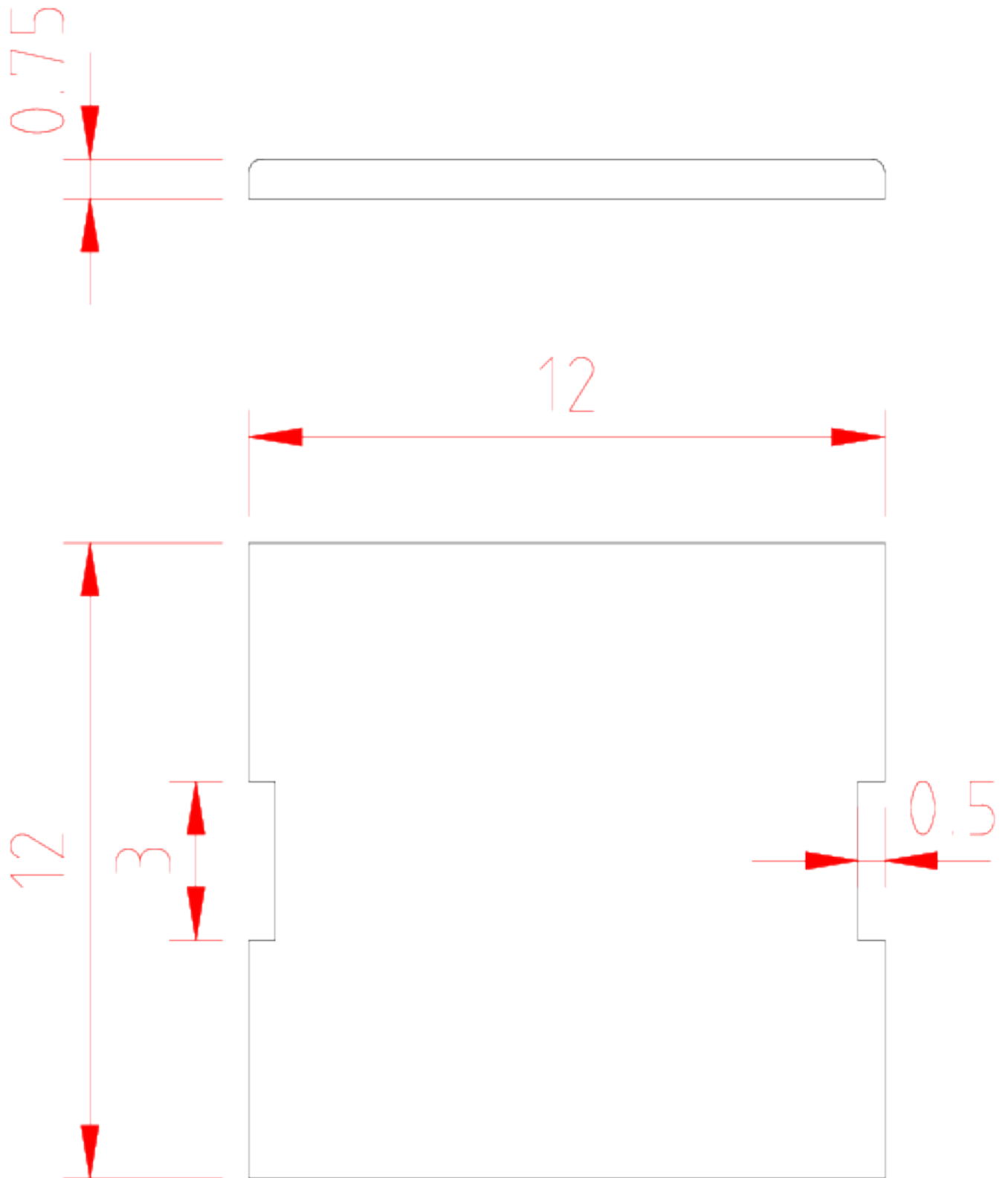


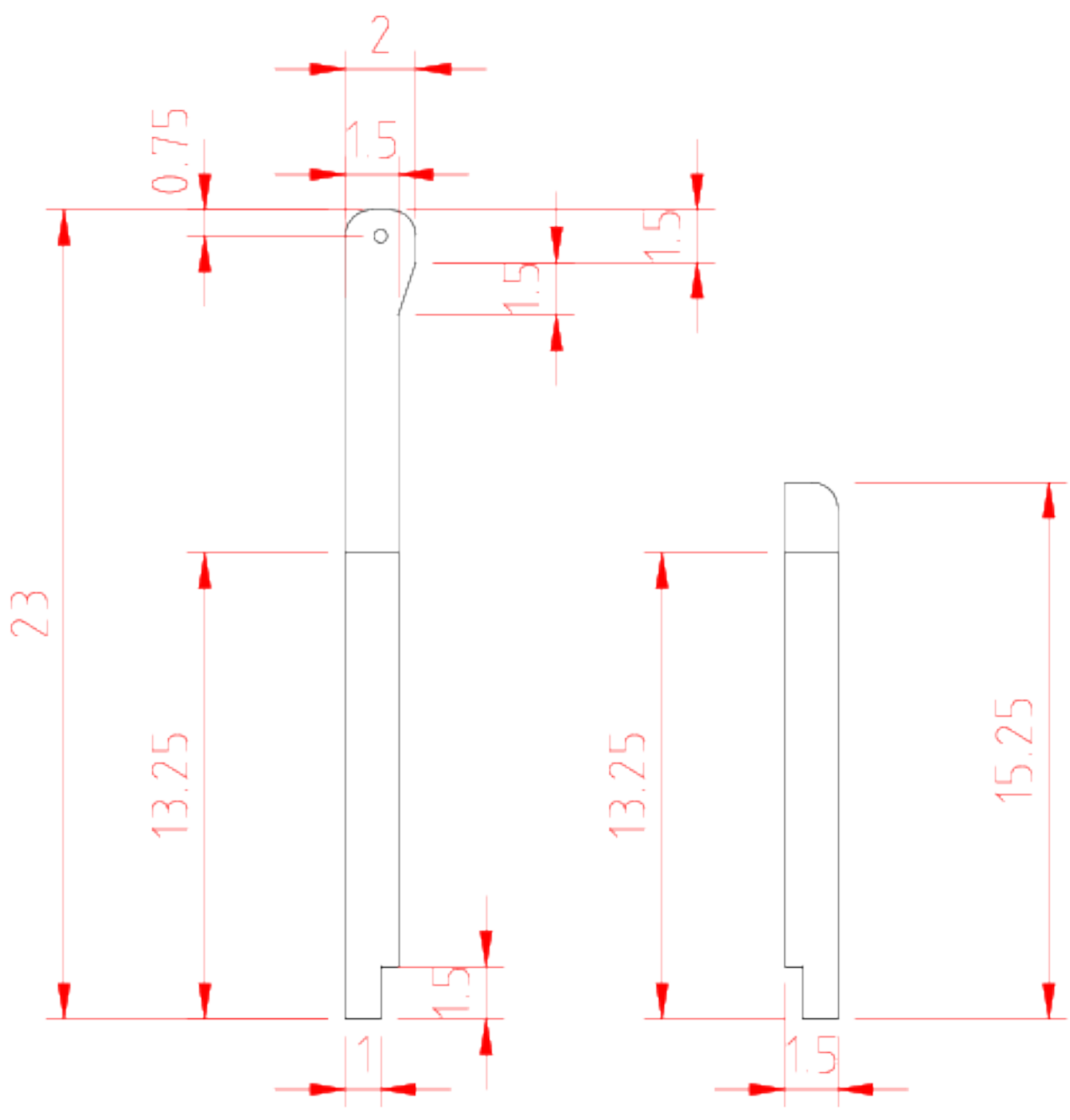
Designed by Andrew H. Wakefield  
Copyright 2015

# Base



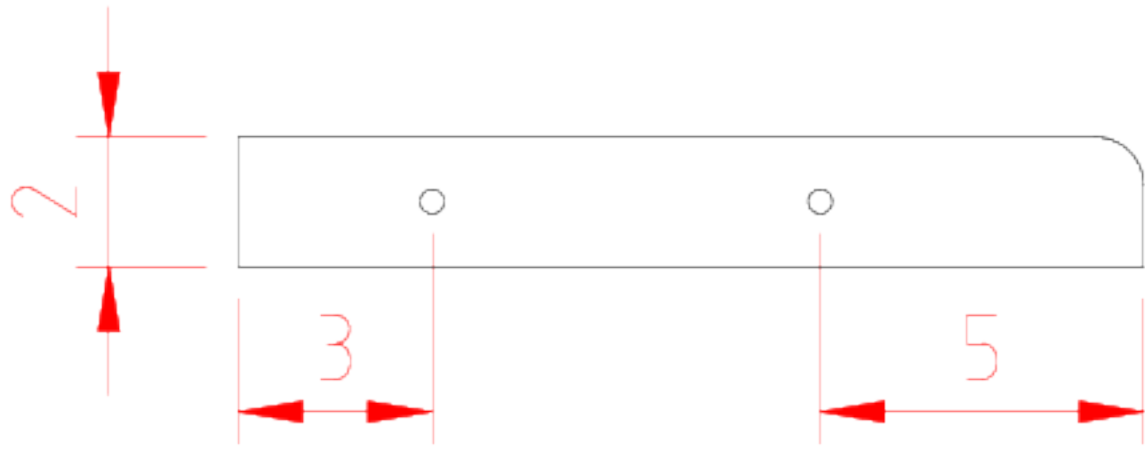
# Platform



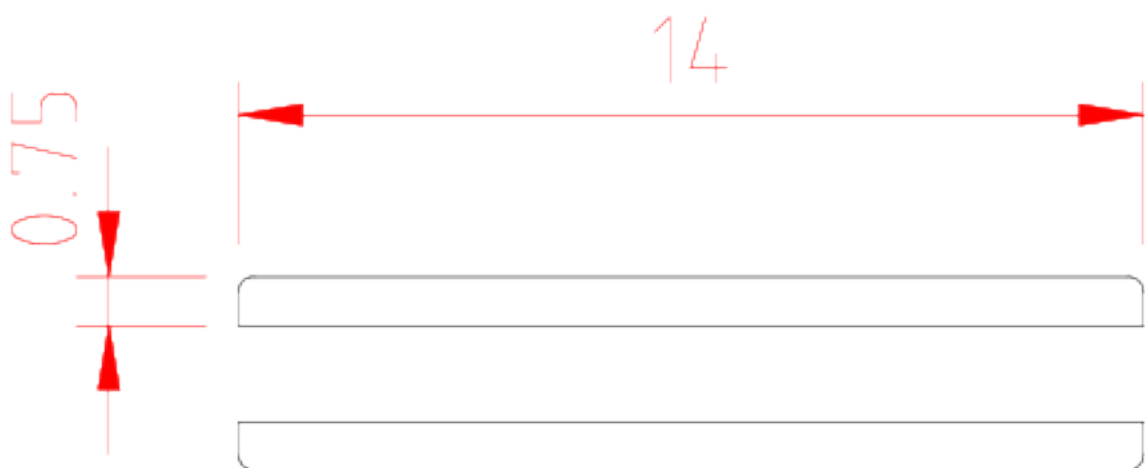


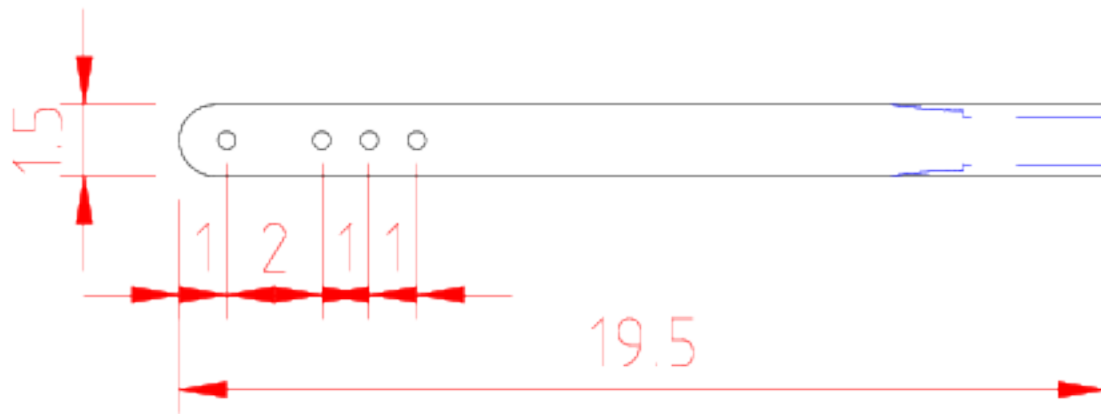
# Uprights





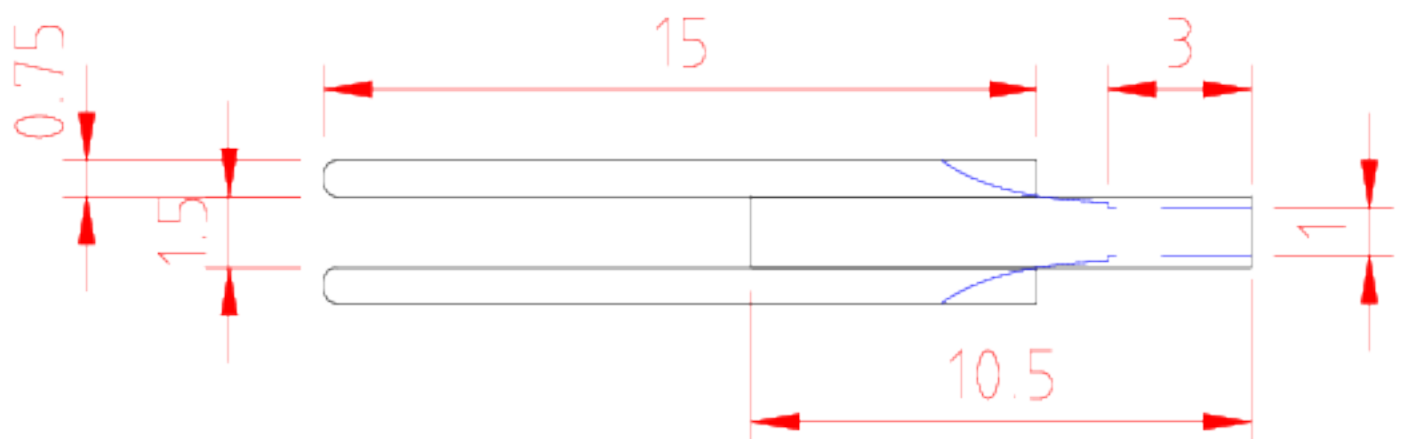
Cross Brace

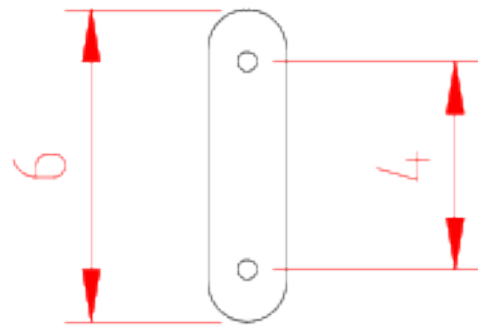




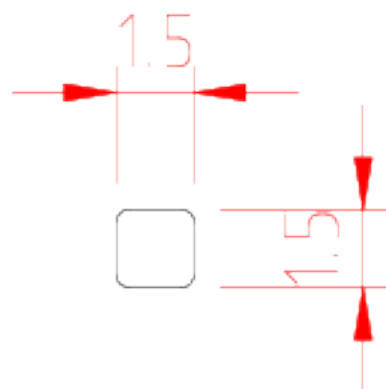
# Main Lever

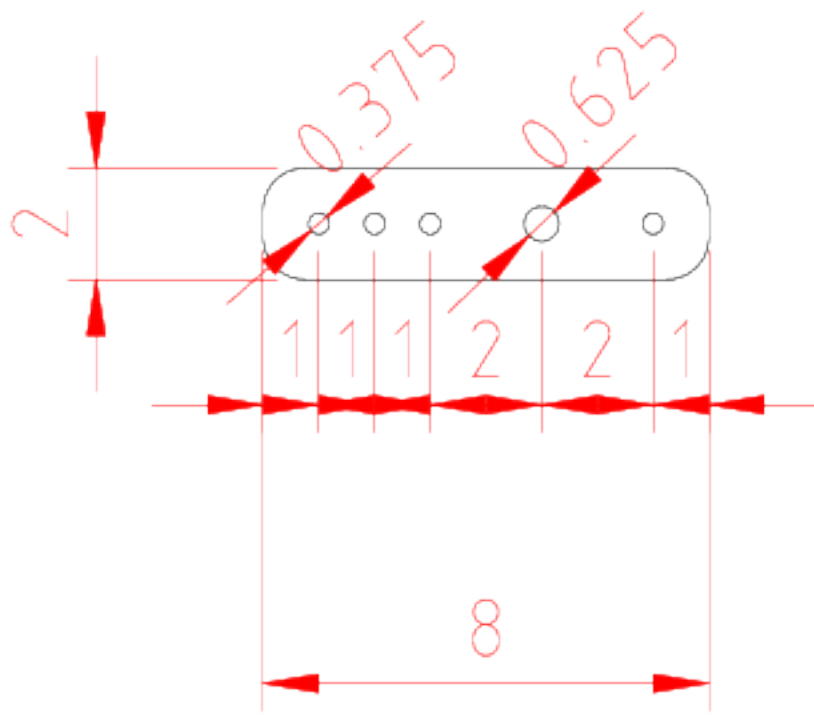
After glue up as shown in solid lines, the lever assembly is turned to the shape shown in blue dashed lines, with a 1" diameter on the end and a 1-1/4" diameter shoulder. A threaded insert is mounted in the end to accept a flanged nut to keep weights from sliding off.





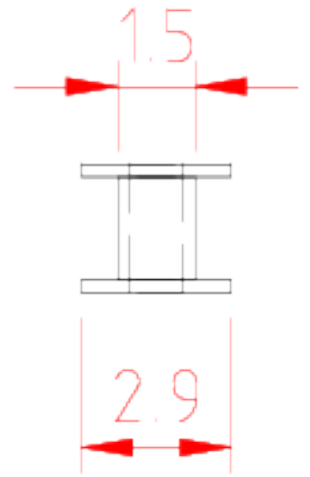
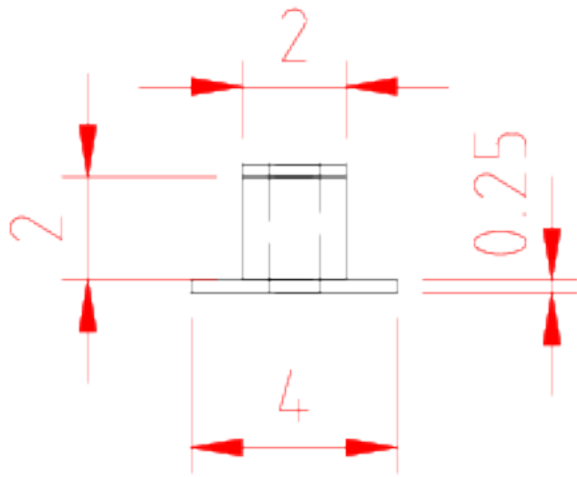
Main Pivot  
(Secondary Pivot  
is identical)



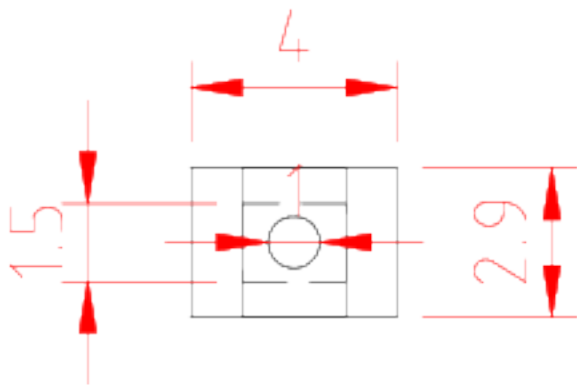


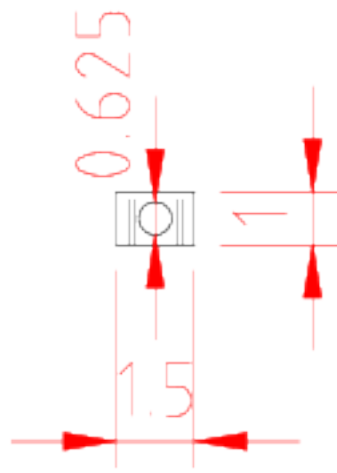
Secondary Lever



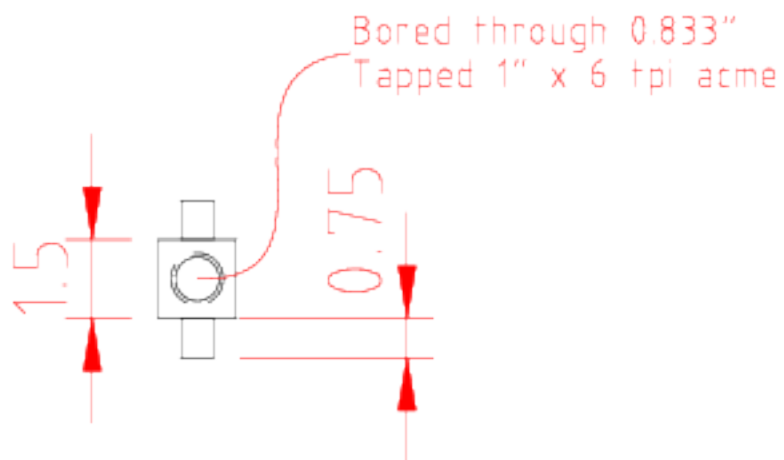


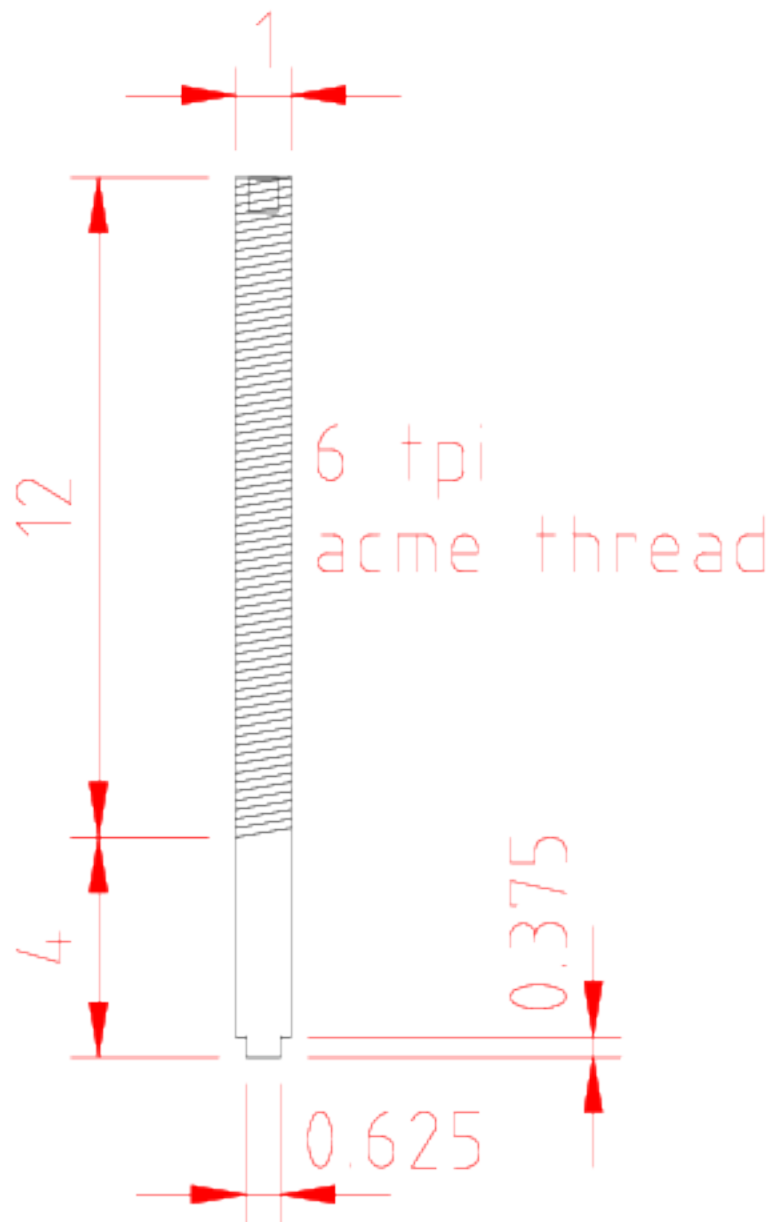
# Guide Bushing





Nut

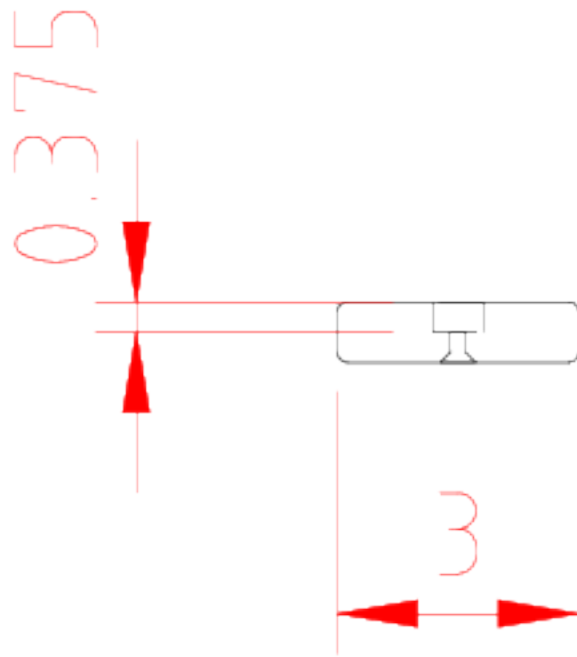




Ram

socket  
.5" square  
.625" deep





Pressure Pad

