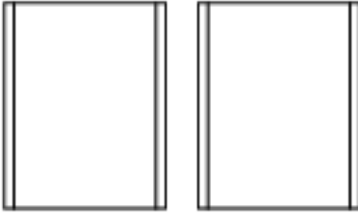
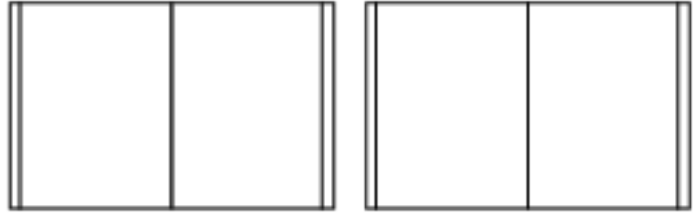


Making a Larger Vacuum Sealer Bag

Take two lengths of bag material and cut them to the same length



Split both bags down one side



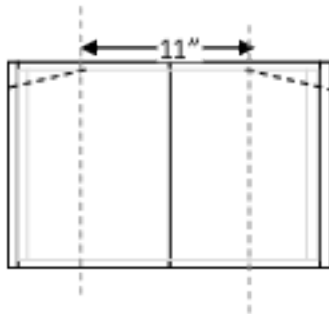
Seal one side to the other making one really wide piece. Keep the seams to the outside.



Fold the sheets one under the other and seal the other side.
Now you have a really wide bag. This is the easy part.



Now to seal the ends you have to seal the edges first so you have just room to fit into the vacuum.



Then slip in your cheese, seal the edges and finally the center of the bag while pulling a vacuum.

